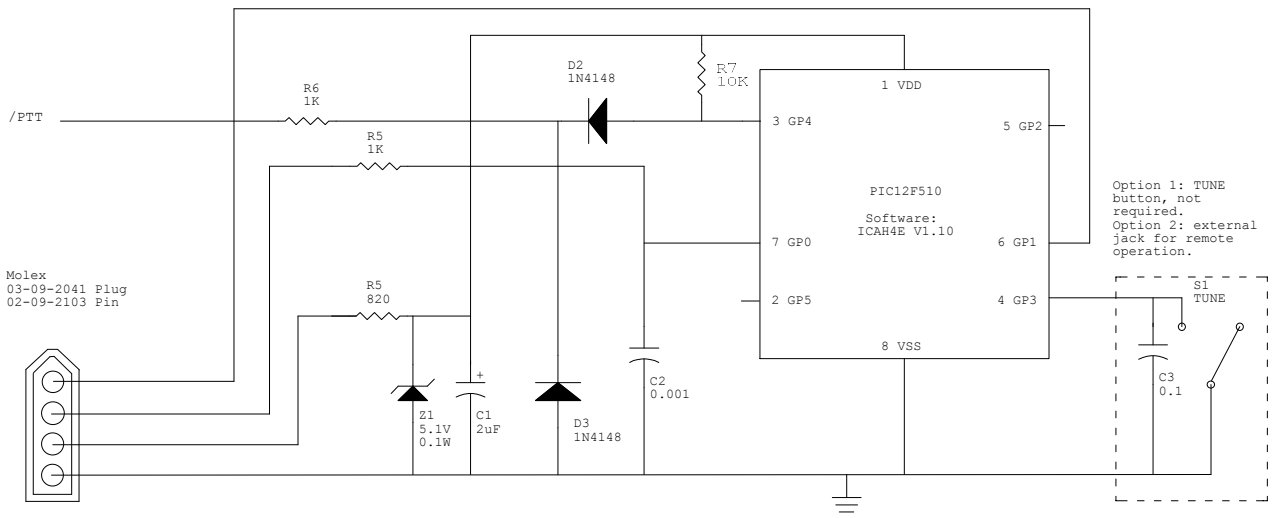


RevNo	Revision note
1	V1.03 Added optional STDP switch
2	V1.04 Renamed STDP switch to TUNE
3	V1.05 Changed MCU pin assignment & C1 to suit ICSP.
4	V1.10 Added PTT monitor

Date	Signature	Checked
01/05/03	DMD	DMD
30/06/06	DMD	DMD
11/08/06	DMD	DMD
19/03/14	DMD	DMD

TuneMate for Icom



- 1 - KEY - Green
- 2 - START - White
- 3 - 13.6VDC - Red
- 4 - Common - Black

Itemref	Quantity	Title/Name, designation, material, dimension etc	Article No./Reference
Designed by Owen Duffy	Checked by OD	Approved by - date OD - 28/04/03	Date 28/04/03
Filename ICAH4E001	Scale 1:1	Edition 3	

Owen Duffy

ICOM AH-4 Emulator

ICAH4E-001

Edition
3

Sheet
1/1