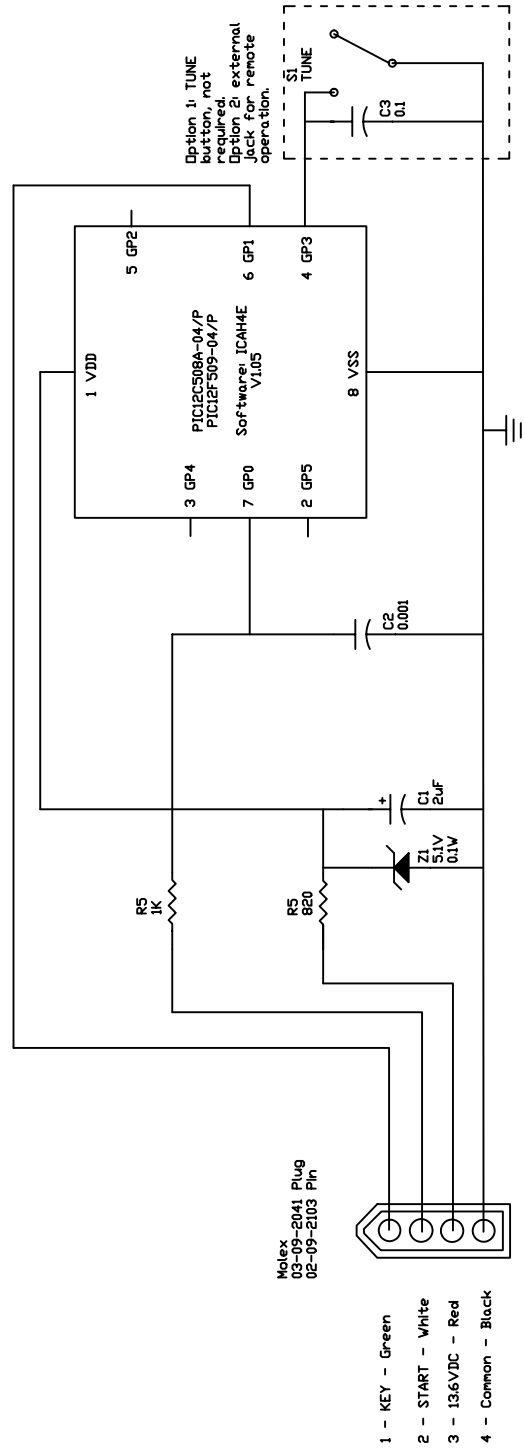


1	Revision note	Date	Signature	Checked
---	---------------	------	-----------	---------

1	V1.03 Added optional STOP switch	01/05/03	OMD	OMD
2	V1.04 Renamed STOP switch to TUNE	30/06/06	OMD	OMD
3	V1.05 Changed MCU pin assignment & C1 to suit ICSP.	11/08/06	OMD	OMD

TuneMate for Icom



Itemref	Quantity	Title/Name, designation, material, dimension etc			Article No./Reference	
Designed by Owen Duffy	Checked by OD	Approved by - date OD - 28/04/03	Filename ICAH4E001	Date 28/04/03	Scale 1:1	
Owen Duffy			Icom AH-4 Emulator			
ICAH4E-001				Edition 3	Sheet 1/1	